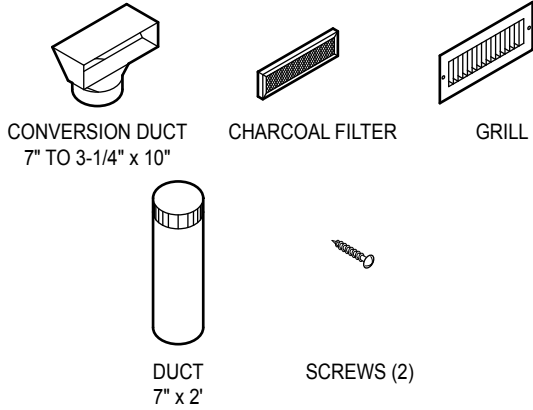


FDK-04 INSTALLATION



< NAME OF PARTS >



Please confirm contents in the above figure first.

FIG 1

The power unit are completely installed. Please refer to each installation book for the installation method.

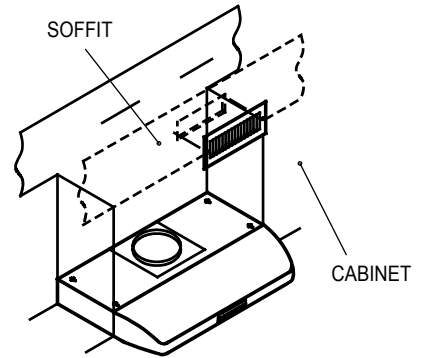


FIG 2

Assemble the duct and the conversion duct temporarily, and decide the location of the grill.
Adjust length by cutting the duct to preferred length.
Cut a rectangular hole for the grill in the soffit when the location of the grill is decided.

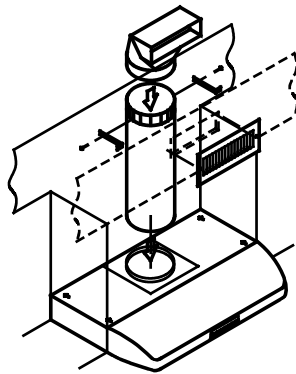


FIG 3

CAUTION

Be careful not to expand the hole too much, and be careful not to damage soffit etc.

Attach the conversion duct to the wall or soffit.
Insert the charcoal filter in the grill, and attach the grill with the screws provided to the soffit.
Please refer to cross-section FIG5 for detailed assembly.

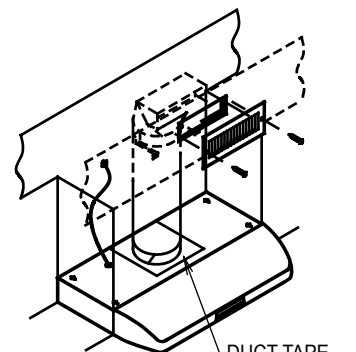
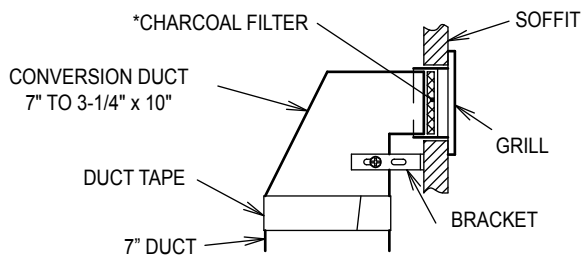


FIG 4

CAUTION

Do not use screws for a duct connections since the air reeking, the damper trouble.



< This is a detailed chart of the cross-section >

NOTE

The charcoal filter should be replaced every three to six months, depending on the amount of cooking that is done.

FIG 5

Finally, please install wood hood.

Your installation is now complete. If you should require service or replacement parts on your ventilation system, contact:

Fuji Industrial USA, Inc.
16300 Christensen Rd, #212 Seattle, WA 98188
1-888-547-9880

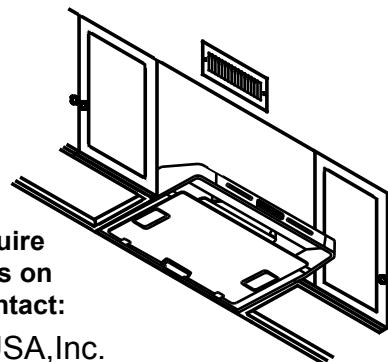


FIG 6

READ AND SAVE THESE INSTRUCTIONS.
Keep this manual in a convenient place for future reference.

FUJI INDUSTRIAL CO.,LTD .